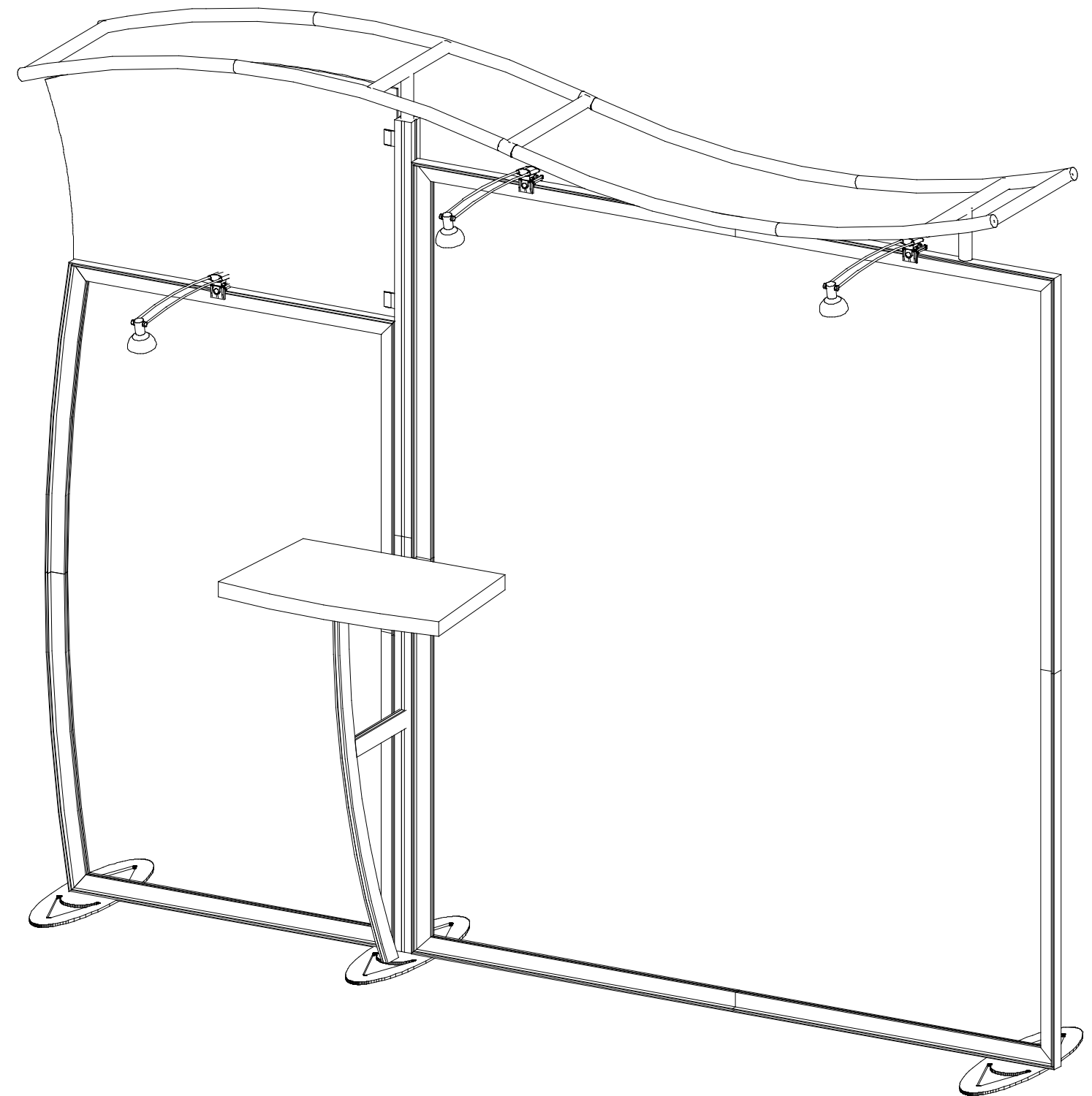


10'



## General Setup Instructions

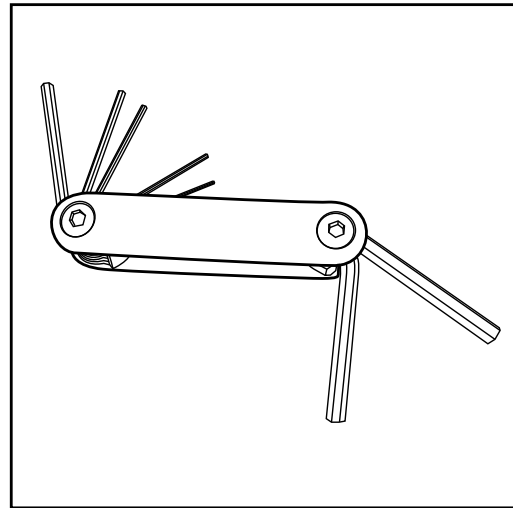
- Read entire setup instruction manual prior to unpacking parts and pieces.
- The setup instructions are created specifically for this configuration.
- Setup instructions are laid out sequentially in steps, including exploded views with detailed explanation for assembly.

## Cleaning & Packing

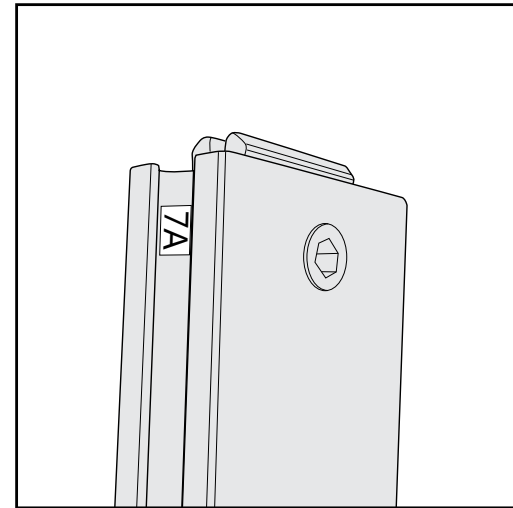
- For Cleaning Metal, Plex, & Laminate Parts: Use a **MILD NON-ABRASIVE** cleanser and soft cloth/paper towel to clean all surfaces.
- Keep exhibit components away from heat and prolonged sun exposure.  
**Heat and UV exposure will warp and fade components.**
- Retain all provided Packing Materials. All provided packing materials are for ease of repacking & component protection.

## Disassembly

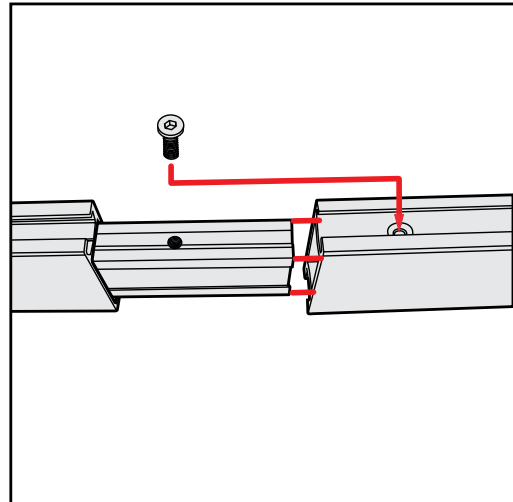
- For loss prevention, tighten all setscrews and locks during disassembly



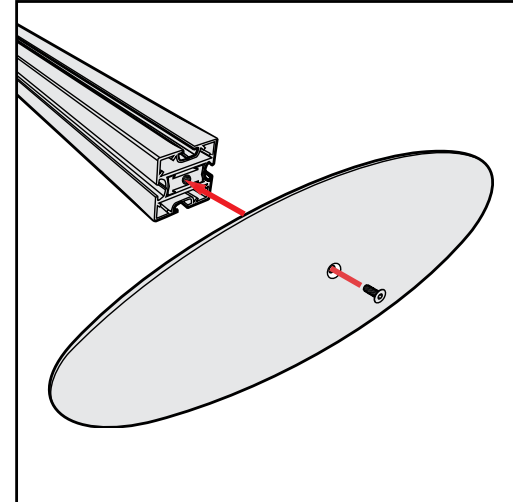
Hex Tool - Essential for Assembly



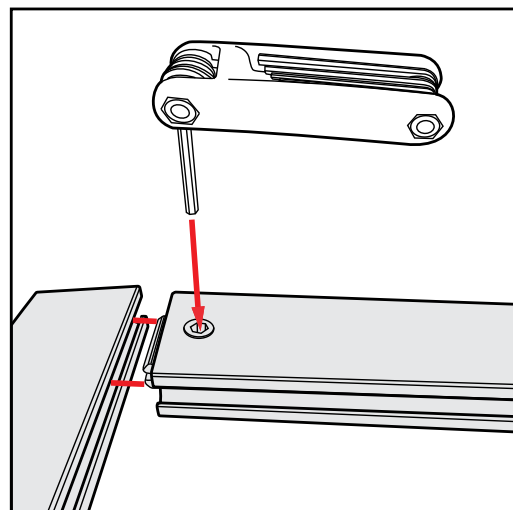
Part Identification - Numbering



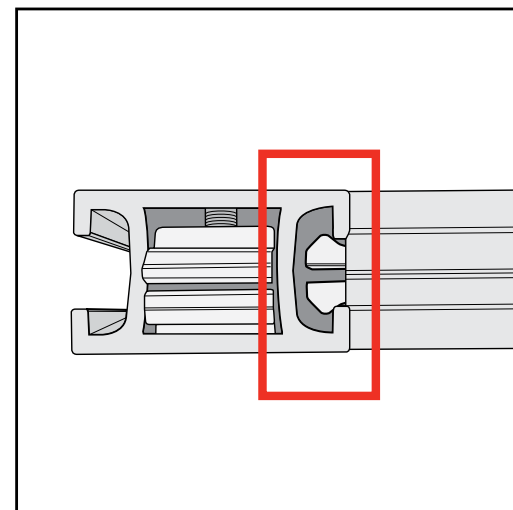
Spline Connection



Base Plate & Extrusion Connection



Extrusion & Lock Connection



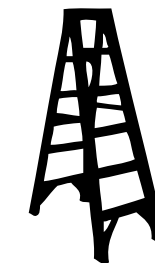
Engaged Lock



**WARNING**



DO NOT USE POWER TOOLS



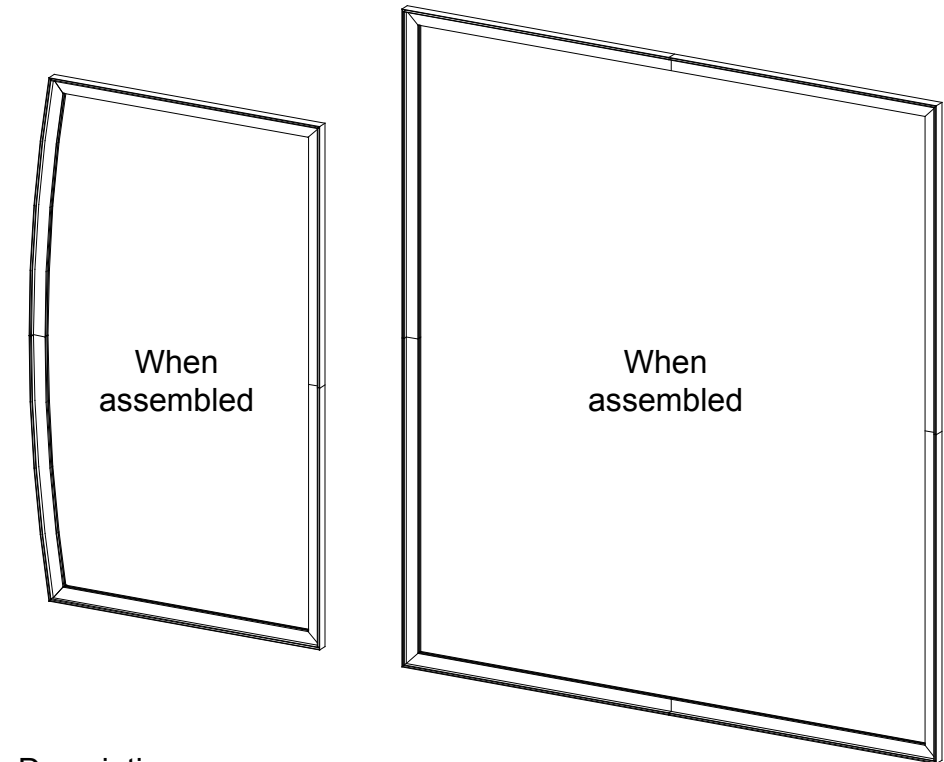
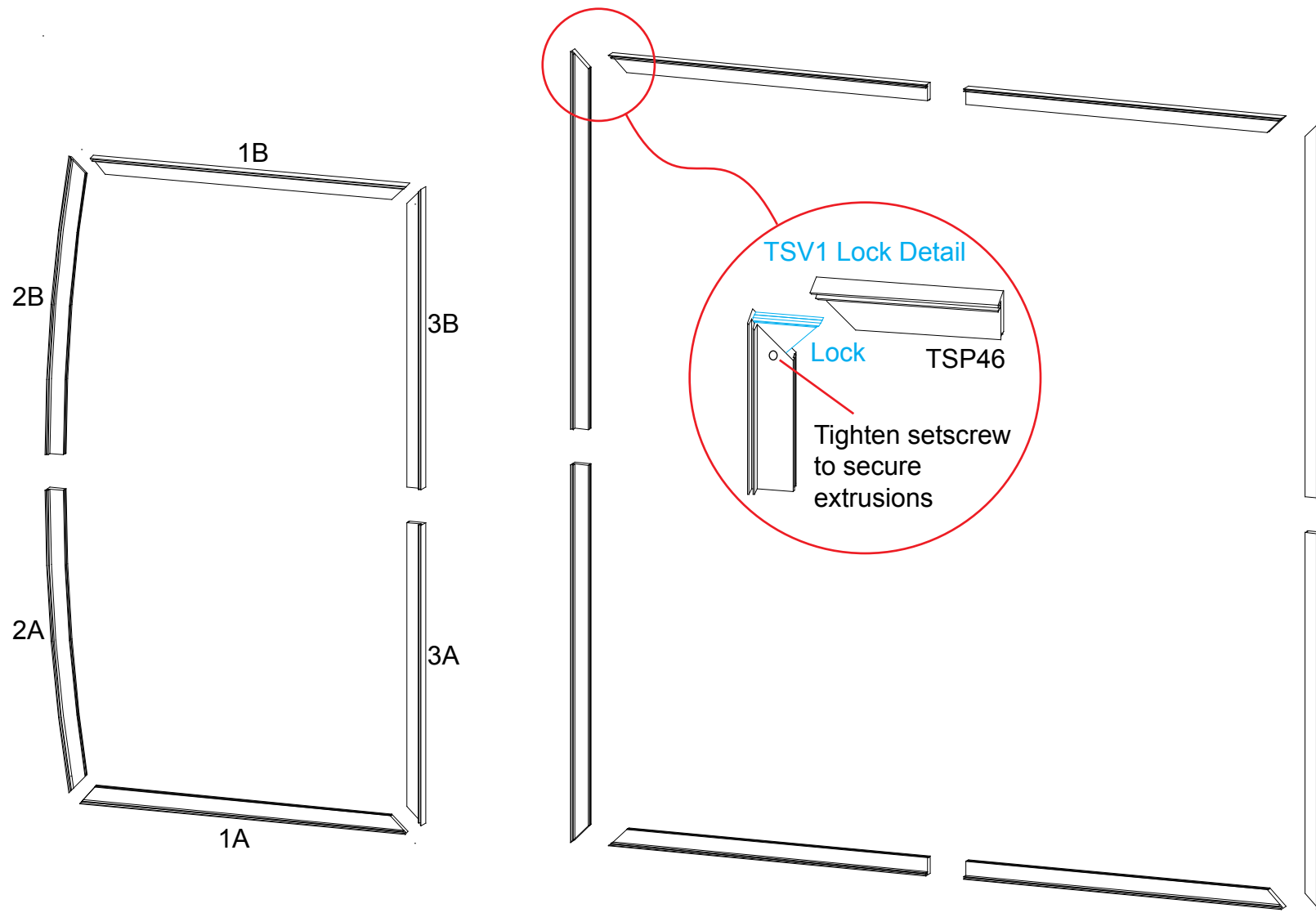
LADDERS OR LIFTS  
MAY BE REQUIRED



ALL CONNECTIONS MUST  
BE TIGHTLY SECURED

Steps:

- 1) Assemble TSP46 frame pieces [B1-B6] together.
- 2) Assemble TSP46 frame pieces [C1-C8] together.

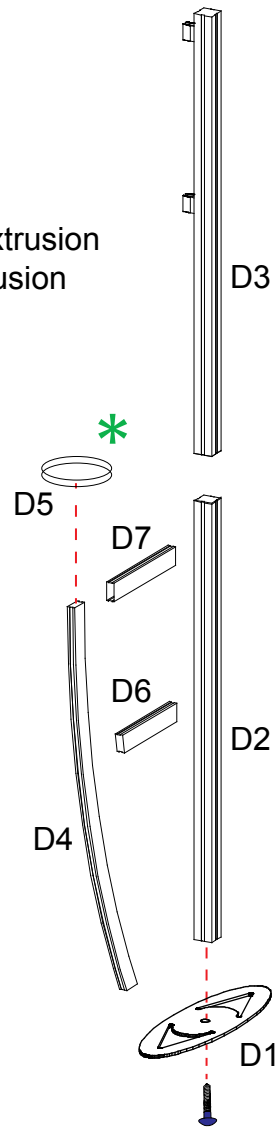


Item	Qty.	Description
B1	1	TSP46 Assembly
B2	1	TSP46 Assembly
B3	1	17.75" w TSP46 Horizontal Extrusion
B4	1	31.8205" h TSP46 Vertical Extrusion
B5	1	31.8205" h TSP46 Vertical Extrusion
B6	1	17.75" w TSP46 Horizontal Extrusion
C1	1	40" h TSP46 Vertical Extrusion
C2	1	40" h TSP46 Vertical Extrusion
C3	1	35.0625" w TSP46 Horizontal Extrusion
C4	1	35.0625" w TSP46 Horizontal Extrusion
C5	1	40" h TSP46 Vertical Extrusion
C6	1	40" h TSP46 Vertical Extrusion
C7	1	35.0625" w TSP46 Horizontal Extrusion
C8	1	35.0625" w TSP46 Horizontal Extrusion

Steps:

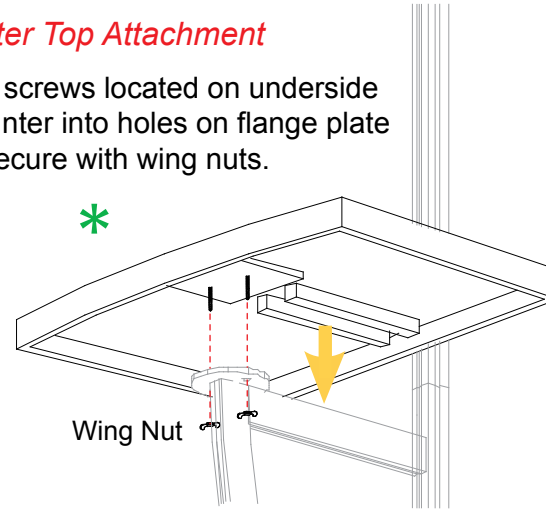
- 1) Attach base plate [D1] to lower vertical [D2].
- 2) Attach upper vertical to lower vertical.
- 3) Attach horizontals [D6,D7] between vertical [D2] and curved leg [D4].
- 4) Attach counter atop support as shown. Refer to *Counter Top Attachment* detail.
- 5) Attach base plates to assembled SEG frames using bolts as shown.
- 6) Attach assembled SEG frames to center assembly as shown. Refer to detail.

Item	Qty.	Description
D1	3	Base Plate
D2	1	42"h Vertical Extrusion
D3	1	42"h Vertical Extrusion
D4	1	42.0581" Curved Leg
D5	1	Flange Plate
D6	1	10.111"w Horizontal Extrusion
D7	1	11.5"w Horizontal Extrusion

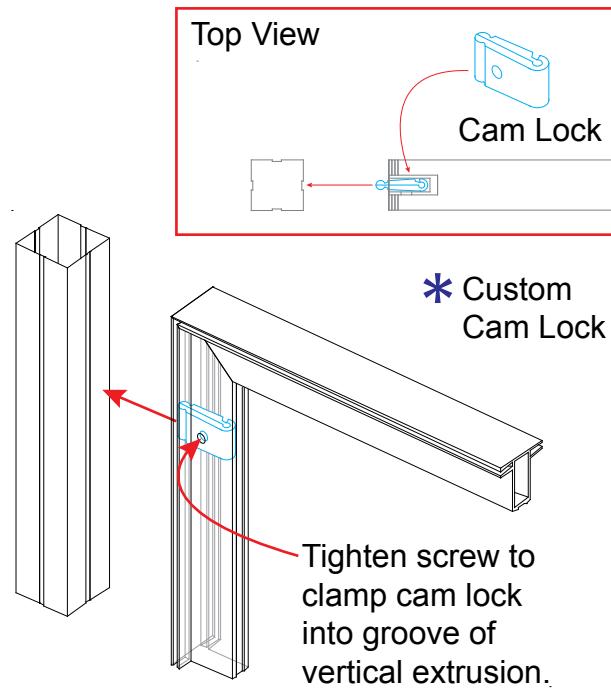


*Counter Top Attachment*

Insert screws located on underside of counter into holes on flange plate and secure with wing nuts.

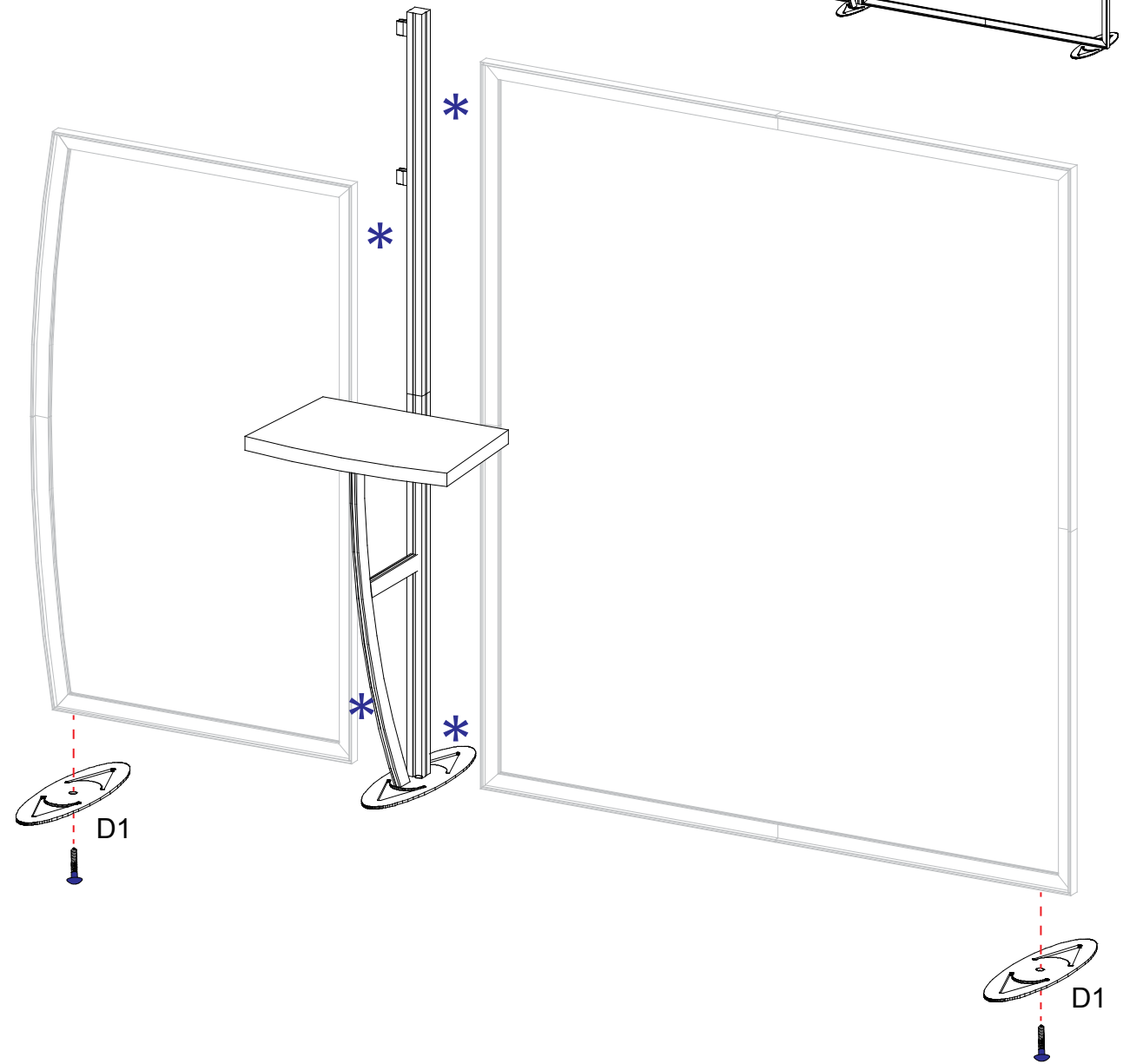
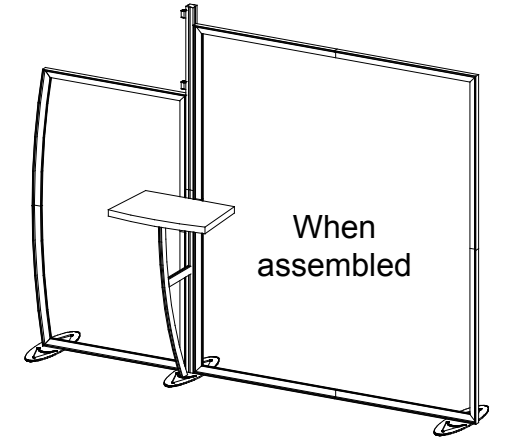


Top View



\* Custom Cam Lock

Tighten screw to clamp cam lock into groove of vertical extrusion.



# AERO

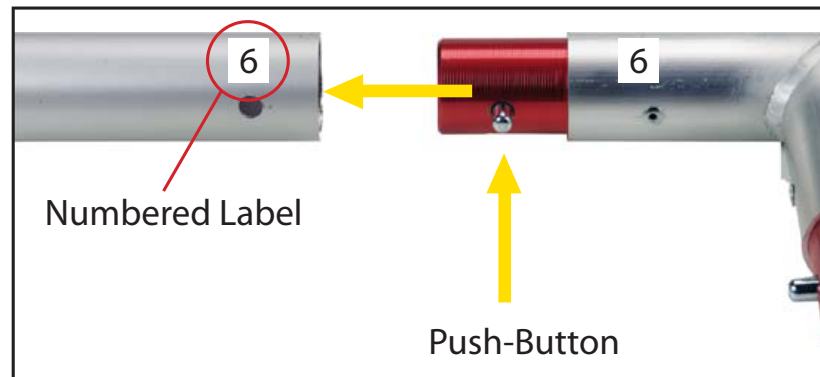
## Using Your Setup Instructions

The Aero Overhead Sign Setup Instructions are created specifically for your configuration. They include an exploded view of the frame which is sequentially numbered. We encourage you to study the instructions before attempting to assemble your exhibit.

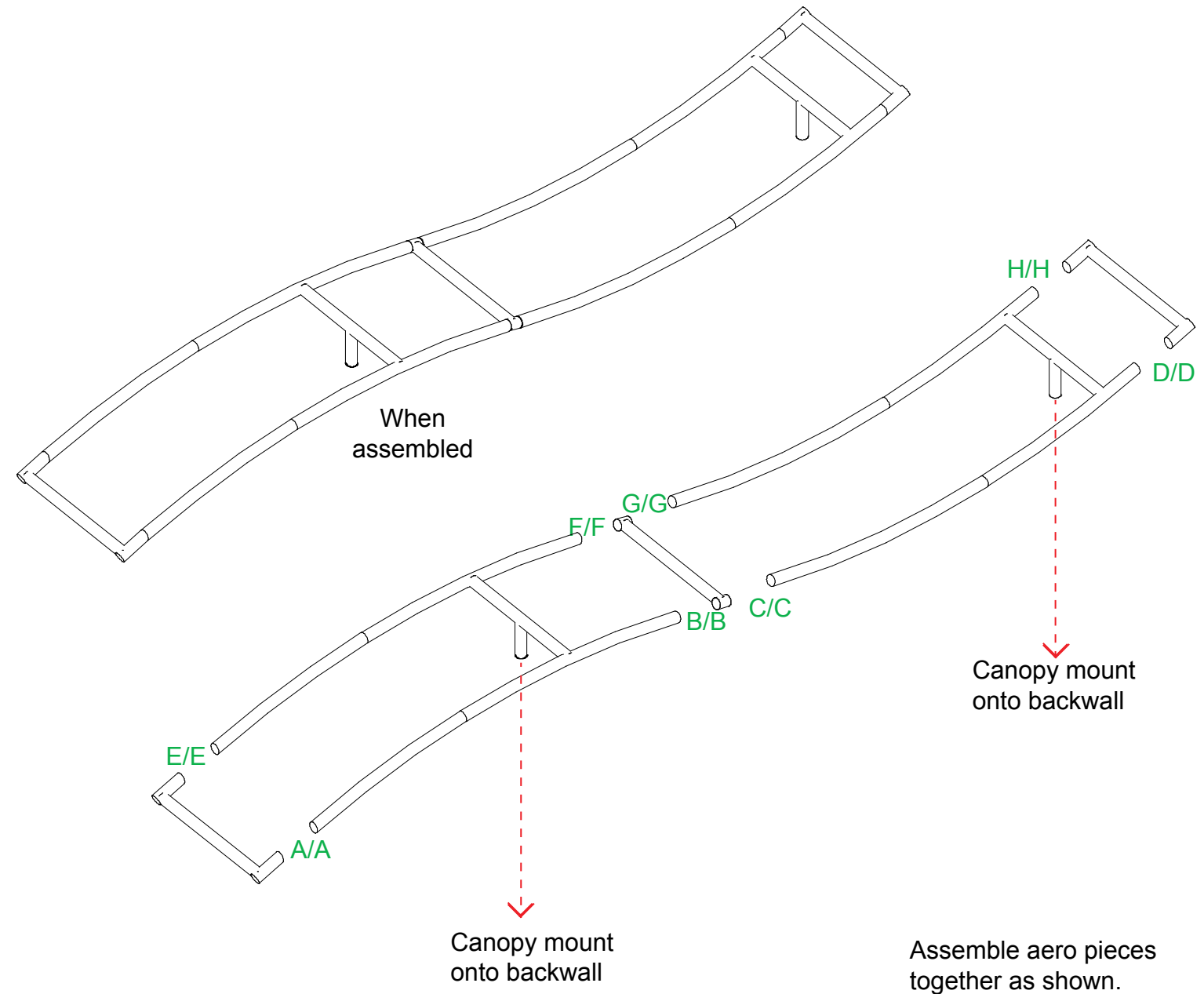
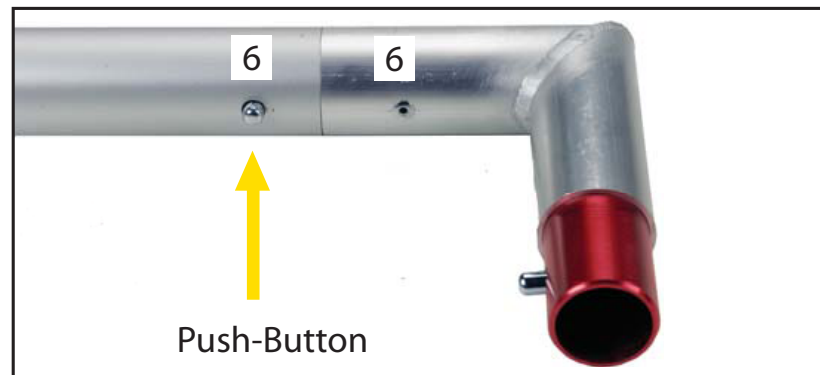
Connections are kept very simple: no tools. Everything assembles with push-button connectors and pre-connected horizontal sections.

## Cleaning and Packing Your Display

- 1) Use care when cleaning aluminum extrusion or acrylic inserts. Use only non-abrasive cleaners.
- 2) Retain all packing material. It will make re-packing much easier and will reduce the likelihood of shipping damage.

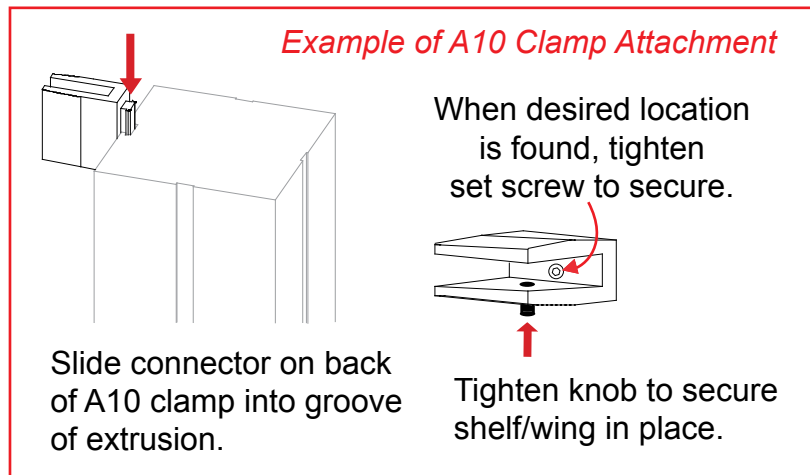


Connections are made by holding the button down and sliding the red tube into opposing tube until the connection is made. To disassemble push button and pull or twist extrusions apart.



Steps:

- 1) Attach wing to vertical. Refer to *Example of A10 Clamp Attachment* detail.
- 2) Set canopy atop canopy mounts as shown.
- 3) Attach lights atop backwall. Refer to *Light Connection* detail.



\*\*\*\* See attached SEG graphic installation for graphic attachment

