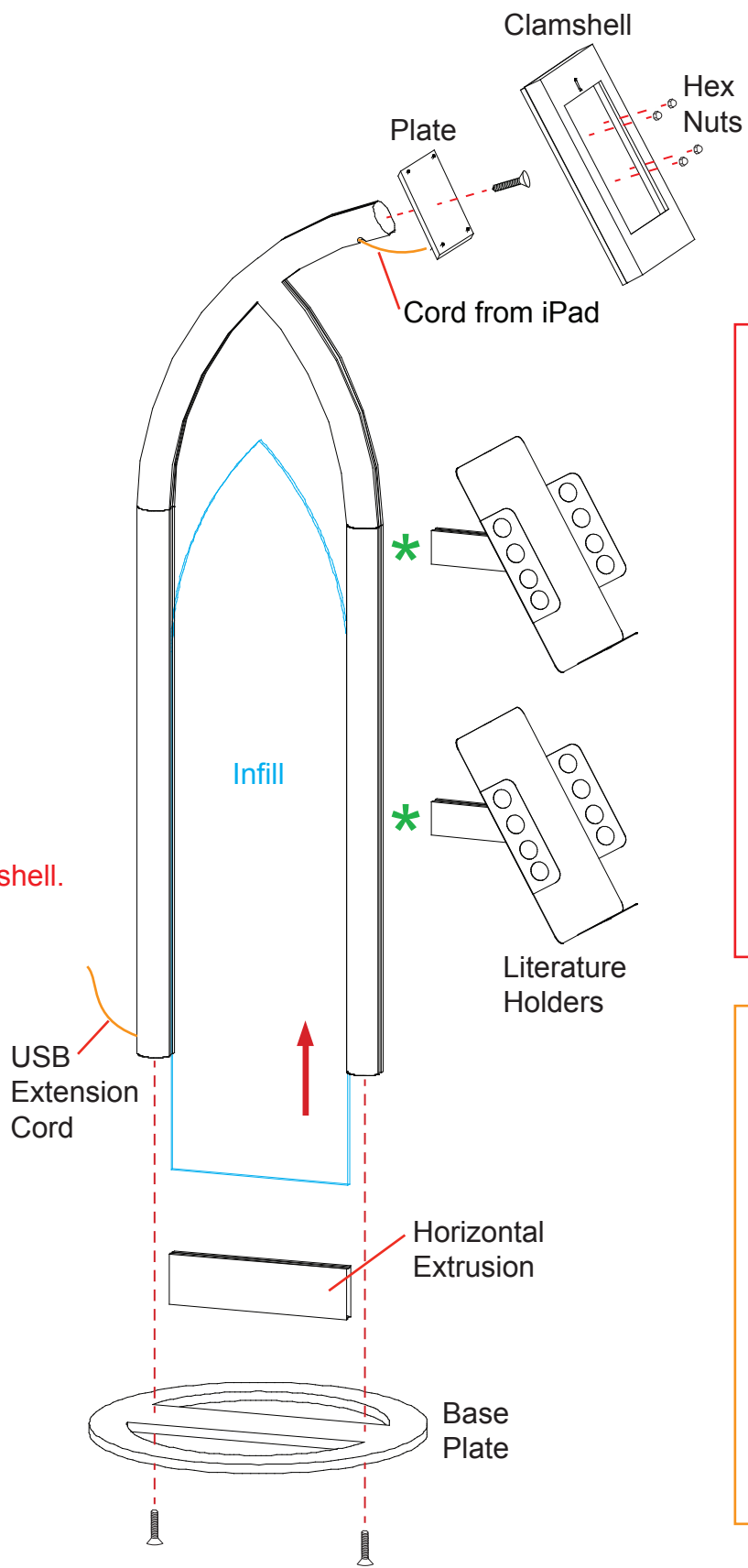
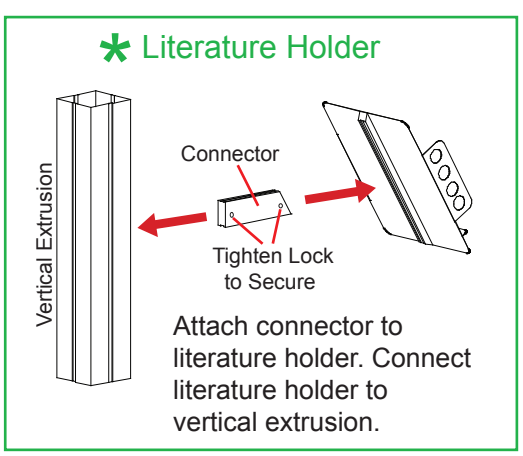


- Steps:
- 1) Slide **Infill** between verticals of stand.
  - 2) Attach horizontal extrusion between stand verticals.
  - 3) Attach base plate to bottom of stand verticals, using bolts.
  - 4) Attach plate to top end of stand, using bolt.
- NOTE: Plate must rotate left and right, before installing clamshell.**
- 5) Attach clamshell to plate, using hex nuts.
  - 6) Insert iPad in clamshell and feed cord through holes.  
See **Cord Management For iPad** detail.
  - 7) Attach literature holders to stand where desired.  
See **Literature Holder** detail.



**Optional Cover for Home Button**

Foam Lining Removed

Home Button Shield

- 1) Remove foam lining from inside bottom of clamshell.
- 2) Attach Home Button Shield with double-sided tape to inside of clamshell, keeping top of shield flush with clamshell opening.

**NOTE: This is a permanent fix and can't be easily removed.**

**Cord Management For iPad**

Lock

Lock

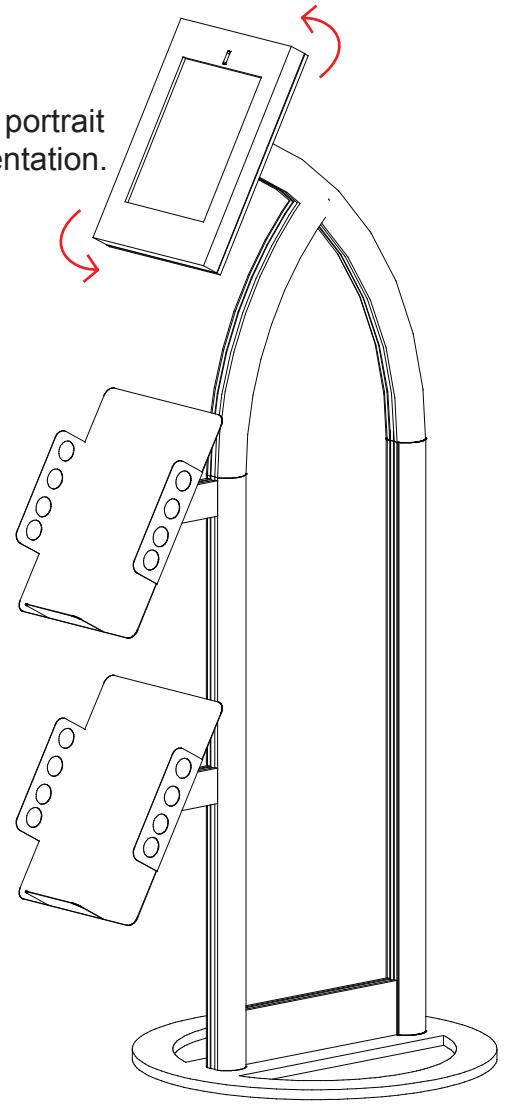
Clamshell

iPad

Cord Access

Attach iPad cord to supplied USB extension cord. Feed USB cord through top hole of post, then out bottom hole of post. connect to power.

Rotate clamshell to turn iPad from portrait to landscape orientation.



Completed Assembly

## General Setup Instructions

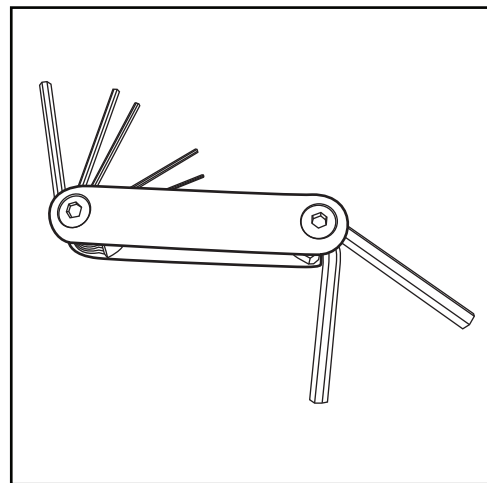
- Read entire setup instruction manual prior to unpacking parts and pieces.
- The setup instructions are created specifically for this configuration.
- Setup instructions are laid out sequentially in steps, including exploded views with detailed explanation for assembly.

## Cleaning & Packing

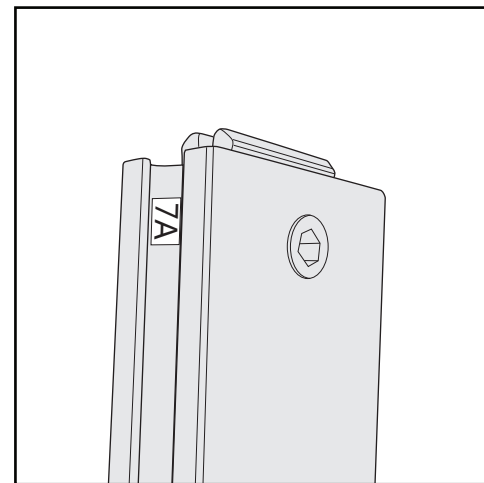
- For Cleaning Metal, Plex, & Laminate Parts: Use a **MILD NON-ABRASIVE** cleanser and soft cloth/paper towel to clean all surfaces.
- Keep exhibit components away from heat and prolonged sun exposure. **Heat and UV exposure will warp and fade components.**
- Retain all provided Packing Materials. All provided packing materials are for ease of repacking & component protection.

## Disassembly

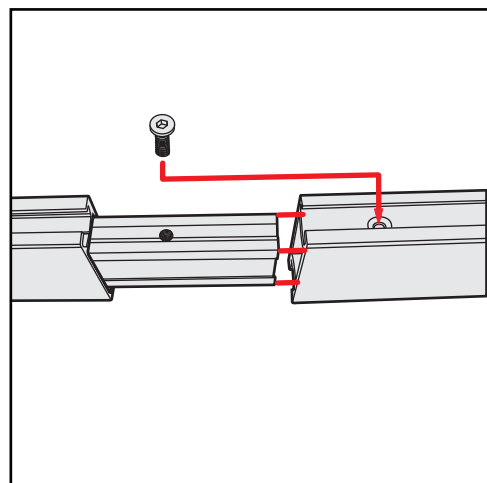
- For loss prevention, tighten all setscrews and locks during disassembly



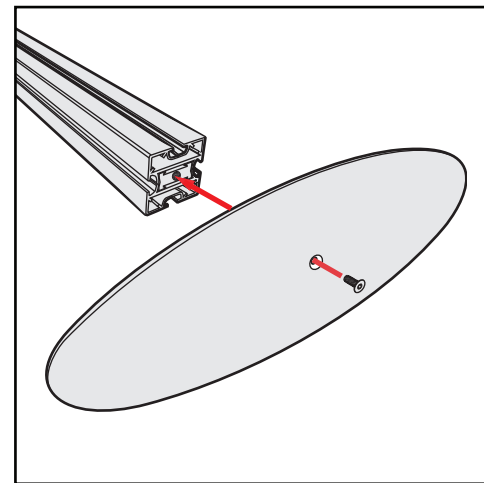
Hex Tool - Essential for Assembly



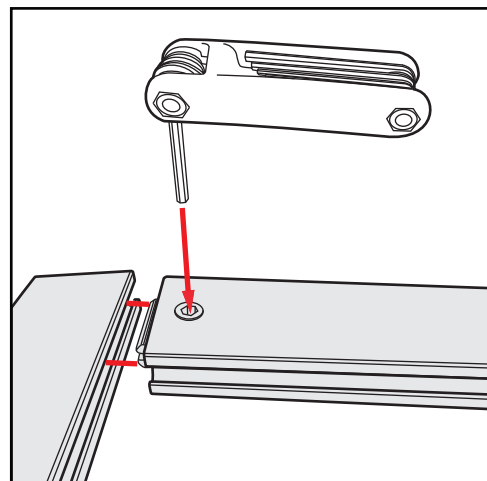
Part Identification - Numbering



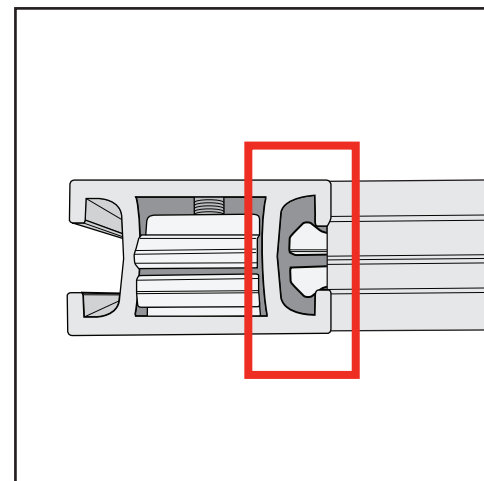
Spline Connection



Base Plate & Extrusion Connection



Extrusion & Lock Connection



Engaged Lock



**WARNING**



DO NOT USE POWER TOOLS

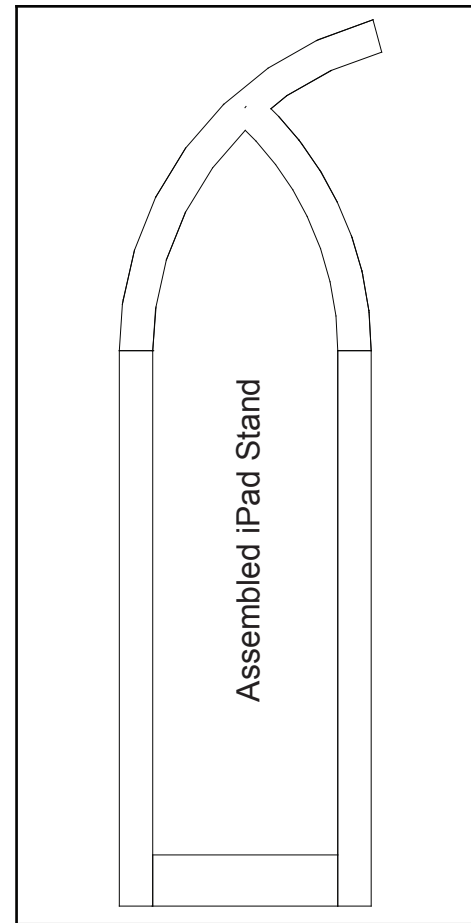


LADDERS OR LIFTS  
MAY BE REQUIRED

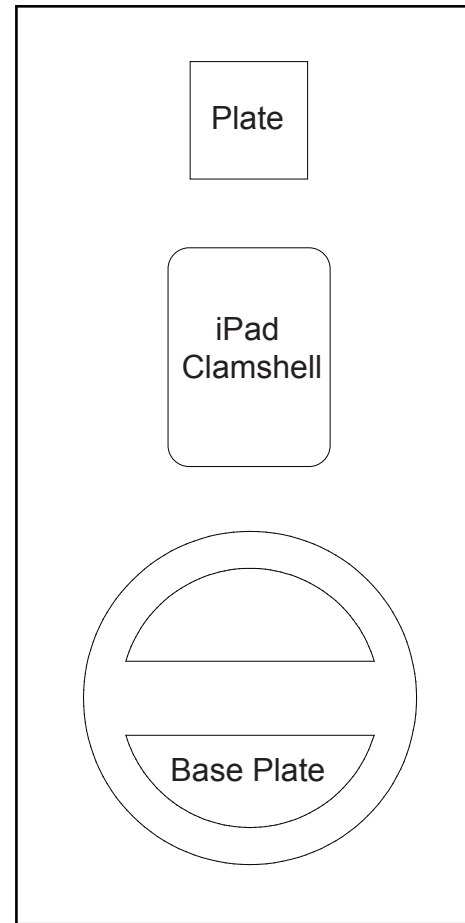


ALL CONNECTIONS MUST  
BE TIGHTLY SECURED

### Top View of Each Level



Level 1



Level 2

Setup Hardware with  
(2) Literature Holders